

# General purpose (dual digital transistors)

## UMH7N

●Feature

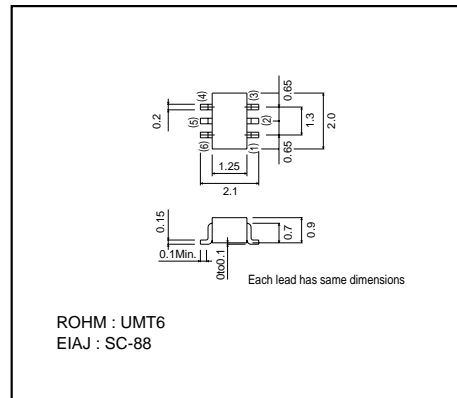
- 1) Includes two DTC143T transistors in a single UMT package.

●Absolute maximum ratings (Ta=25°C)

Parameter	Symbol	Limits	Unit
Collector-base voltage	V <sub>CB0</sub>	50	V
Collector-emitter voltage	V <sub>CE0</sub>	50	V
Emitter-base voltage	V <sub>EB0</sub>	5	V
Collector current	I <sub>c</sub>	100	mA
Collector power dissipation	P <sub>c</sub>	150 (TOTAL)	mW *1
Junction temperature	T <sub>J</sub>	150	°C
Storage temperature	T <sub>stg</sub>	-55~+150	°C

\*1 120mW per element must not be exceeded.

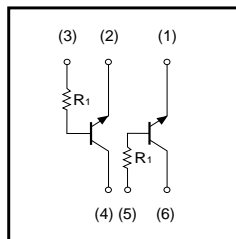
●External dimensions (Units : mm)



●Package, marking, and Packaging specifications

Part No.	UMH7N
Package	UMT6
Marking	H7
Code	TR
Basic ordering unit (pieces)	3000

●Equivalent circuit



●Electrical characteristics (Ta=25°C)

Parameter	Symbol	Min.	Typ.	Max.	Unit	Conditions
Collector-base breakdown voltage	BV <sub>CB0</sub>	50	-	-	V	I <sub>c</sub> =50μA
Collector-emitter breakdown voltage	BV <sub>CE0</sub>	50	-	-	V	I <sub>c</sub> =1mA
Emitter-base breakdown voltage	BV <sub>EB0</sub>	5	-	-	V	I <sub>e</sub> =50μA
Collector cutoff current	I <sub>CB0</sub>	-	-	0.5	μA	V <sub>CB</sub> =50V
Emitter cutoff current	I <sub>EB0</sub>	-	-	0.5	μA	V <sub>EB</sub> =4V
DC current transfer ratio	h <sub>FE</sub>	100	250	600	-	V <sub>CE</sub> /I <sub>c</sub> =5V/1mA
Collector-emitter saturation voltage	V <sub>CE(sat)</sub>	-	-	0.3	V	I <sub>c</sub> /I <sub>B</sub> =5mA/0.25mA
Input resistance	R <sub>1</sub>	3.29	4.7	6.11	kΩ	-